

Rocker Switch Series

KLS7-001 Rocker Switch Series

MATERIAL

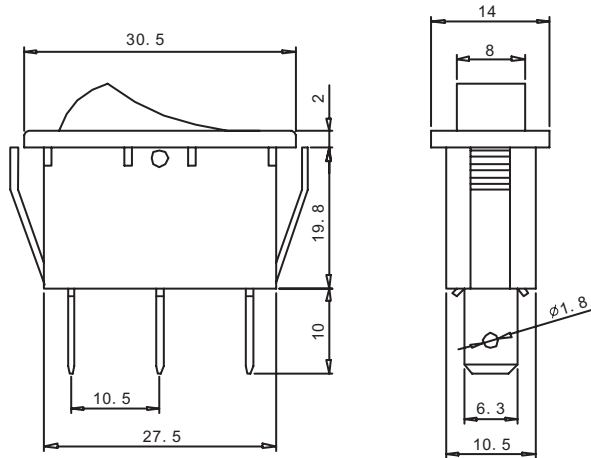
1. Housing: Nylon 66
2. Rocker: PC & PA66
3. Contacts: Silver Alloy
4. Terminal: Brass Silver Plated
5. Lamp: Neon Lamp, Tungsten Lamp
6. Spring: SWP, SUS
7. Movable Arm: Brass Silver Plated



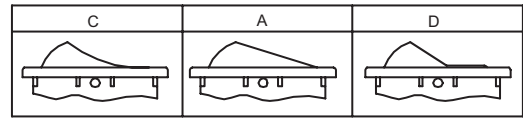
ELECTRICAL

1. Electrical Rating: 10(4)A 250VAC T85
16(4)A 250VAC T125/55 1E4
15A 125V/7.5A 250AC
2. Mechanical life: Over 30000 Cycles
3. Electrical life: Over 10000 Cycles
4. Contact Resistance: <20mΩ
5. Insulation Resistance: >1000MΩ
6. High Voltage Resistance: >1500V 1 min
7. Ambient Temperature: Terminal Side -20°C~+85°C; Actuating Side -20°C~+55°C
8. Storage Temperature: -30°C~+80°C Max
9. Atmospheric Humidity: Max 85%
10. Actuating force: 4~8N (depends on different switch function)
11. Flammability: UL94 V-2
12. Temperature rise at the terminal: Max 30°C (UI1054)
13. Solder ability of terminal: Max 350°C 3S

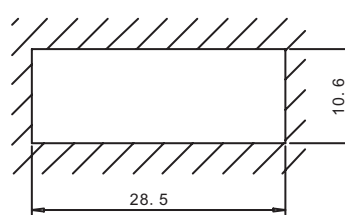
VII



Cap Type



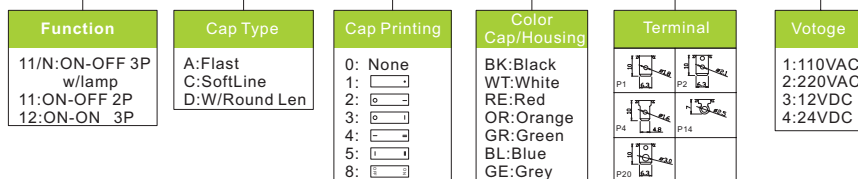
Panel hole size

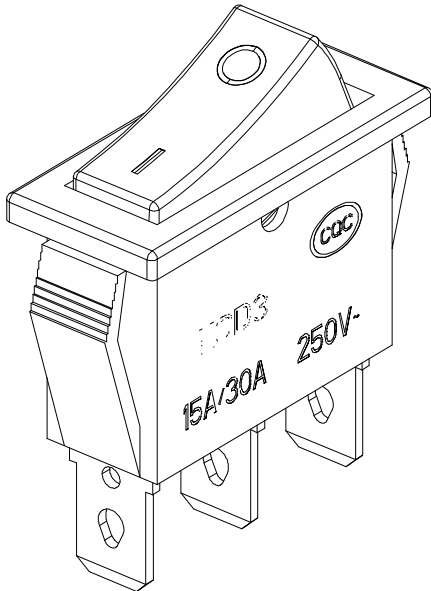
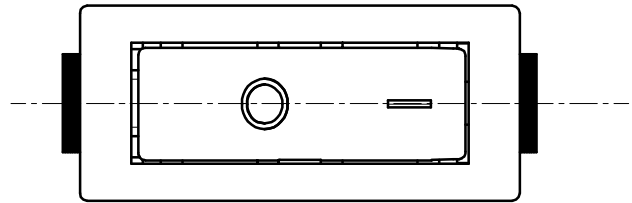
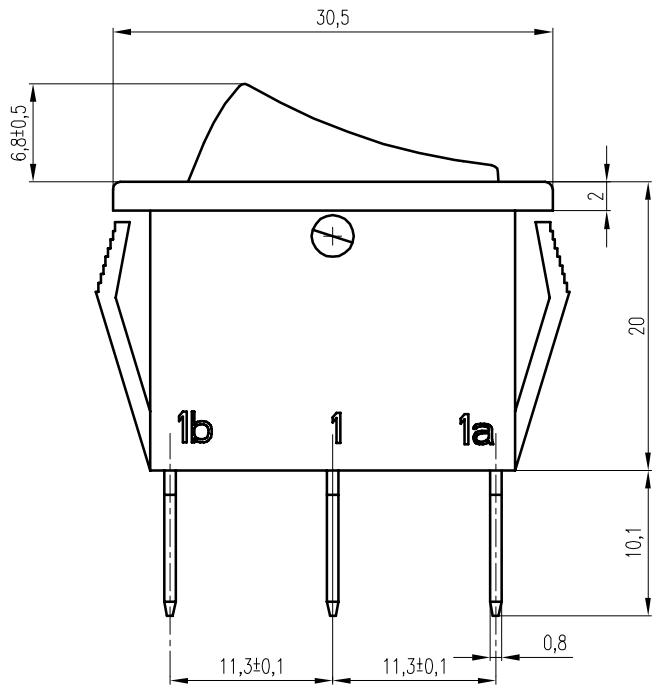
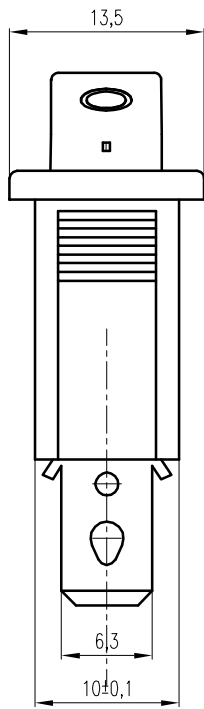


ORDER INFORMATION

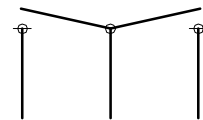
KLS7-001-11/N-C-2 RE/BK -P1.....(2)

Series No.





principium



Main technologic characteristic

Rated Load : 250V
15/30A 250V AC

Contact Resistance : 30m M Ω

Insulation Resistance : 100 M Ω min

Withstand Voltage : 1500V AC

Movement Power : 4N Ma

Electric Resistance : 1X10⁴

日底图总号						<h2>Rocker Switch</h2>	NINGBO KLS ELECTRONIC CO.,LTD	
底图总号							L-KLS7-001-11/N-C-2-RE/BK-P2	
设计	快数	更改文件号	签字	日期	图样标记		重量	比例
审核					S		A	B
日期	工艺		批准	日期	共 页		第 页	