

Rating:

CQC 6(4)A 250V AC T85  
 6A/125A 250VAC  
 cULus 10A 125V AC/6A 250V AC  
 VDE 6(4)A 250V AC T85  
 KC 6(4)A 250V AC T85

Circuit Diagram: 3P ON-ON

Terminal Strength:  $\geq 80N$

Electrical life:  $\geq 10000$  cycles

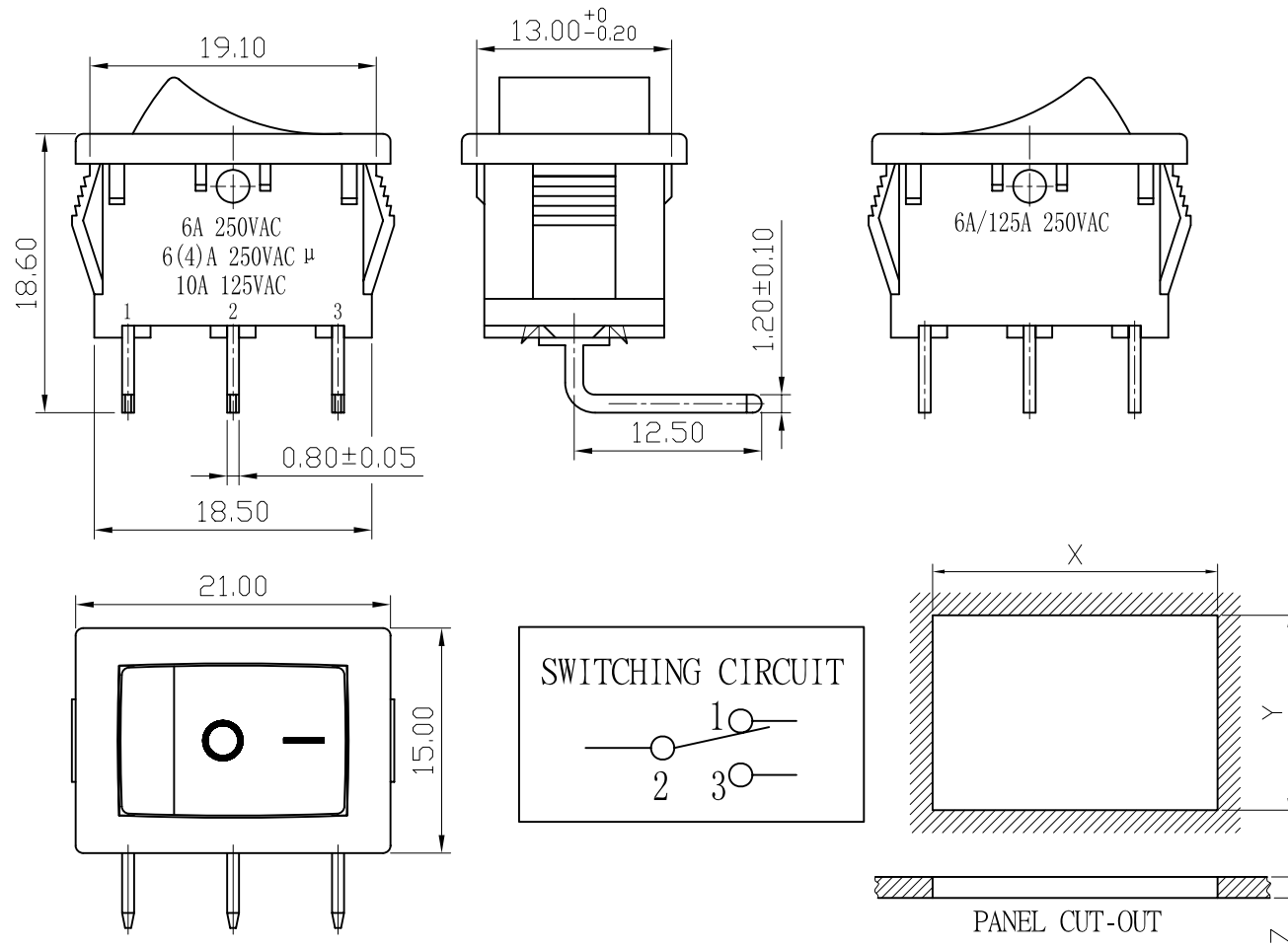
Withstand Voltage: Withstand Voltage:1800VAC 1min

Terminals to Button:3000VAC 1min

Leakage Current: 1mA

Current resistance:  $\leq 50m\Omega$ (initial)

Insulation resistance:  $\geq 100M\Omega$



PANEL CUT-OUT		
Z	Y	X
0.70~1.25	12.90~13.10	18.9~19.1
1.25~2.00	12.90~13.10	19.1~19.2
2.00~3.00	12.90~13.10	19.3~19.4

A4				普通公差:	KLS ELECTRONIC CO., LTD								
A3				COMMON TOLERANCE :									
A2				UP TO 5	±0.20	单位	mm	投影		品名	跷板开关	比例	2:1
A1				ABOVE 5 TO 30	±0.30	绘图	朱文林	核对	吴路方	型号	L-KLS7-RS601A-1020013BB		
REV.	DATE	REVISION DESCRIPTION	ISSUE	ANGULAR	±5°	日期	2012.11.14	核准	周培雷	图号			