

Switch

Rocker Switch Series

KLS7-013 Rocker Switch Series

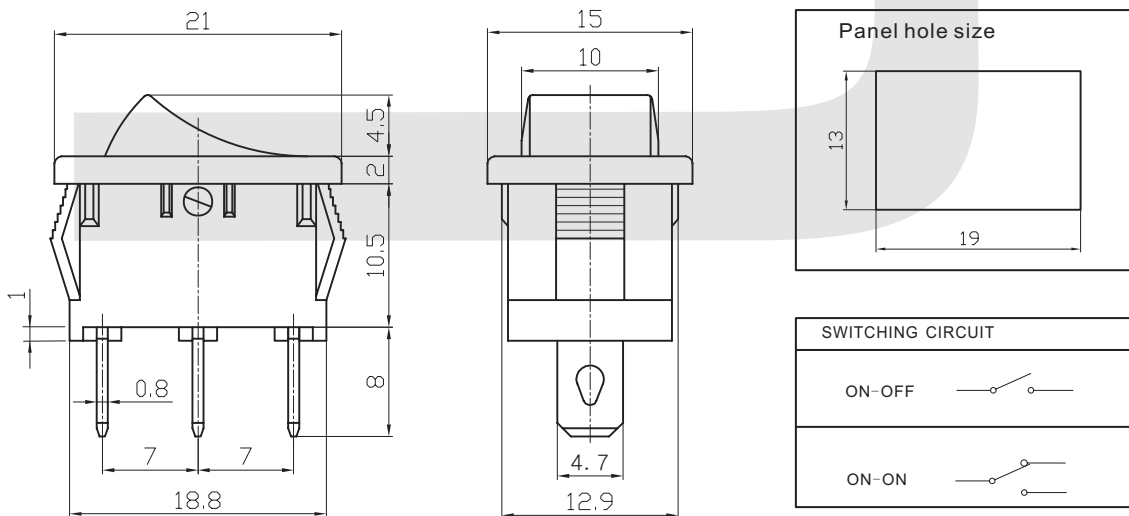
MATERIAL

1. Housing: Nylon 66
2. Rocker: PC & PA66
3. Contacts: Silver Alloy
4. Terminal: Brass Silver Plated
5. Lamp: Neon Lamp, Tungsten Lamp
6. Spring: SWP,SUS
7. Movable Arm: Brass Silver Plated

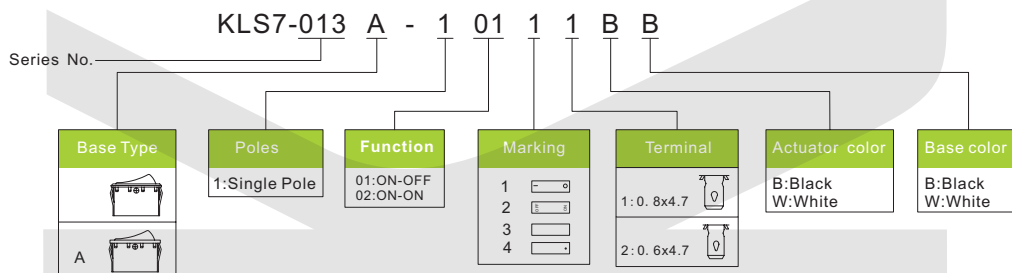


ELECTRICAL

1. Electrical Rating: 6(4)A 250VAC /10A 125V0AC
2. Mechanical life: Over 30000 Cycles
3. Electrical life: Over 10000 Cycles
4. Contact Resistance: $\leq 50m\Omega$
5. Insulation Resistance: $\geq 100M\Omega$
6. High Voltage Resistance: $>1500V$ 1 min
7. Ambient Temperature: Terminal Side $-20^{\circ}C \sim +85^{\circ}C$;
Actuating Side $-20^{\circ}C \sim +55^{\circ}C$
8. Storage Temperature: $-30^{\circ}C \sim +80^{\circ}C$ Max
9. Atmospheric Humidity: Max 85%
10. Actuating force: 4~8N (depends on different switch function)
11. Flammability: UL94 V-2
12. Temperature rise at the terminal: Max $30^{\circ}C$ (UI1054)
13. Solder ability of terminal: Max $350^{\circ}C$ 3S



ORDER INFORMATION



Rocker Switch Series

KLS7-024 Rocker Switch Series

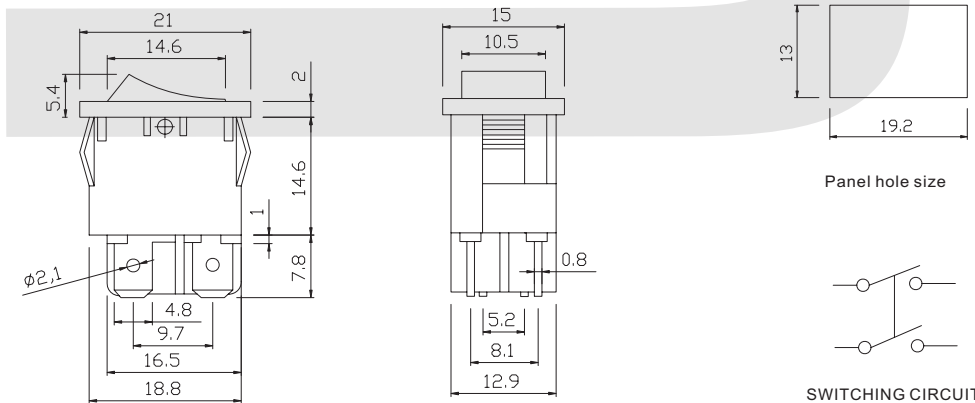
MATERIAL

1. Housing: Nylon 66
2. Rocker: PC & PA66
3. Contacts: Silver Alloy
4. Terminal: Brass Silver Plated
5. Lamp: Neon Lamp, Tungsten Lamp
6. Spring: SWP, SUS
7. Movable Arm: Brass Silver Plated

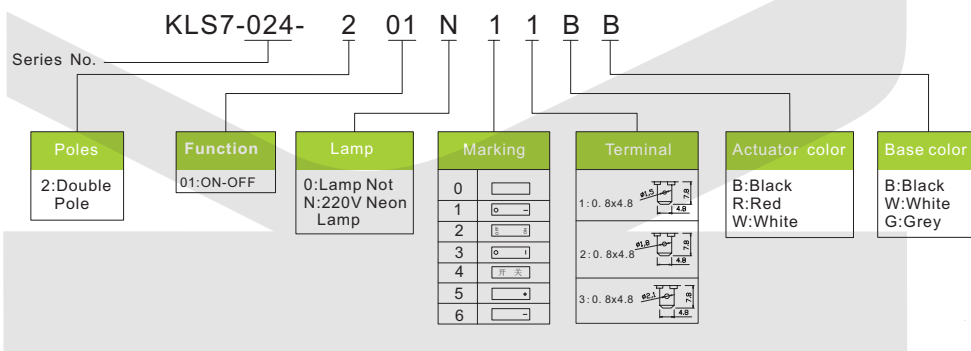


ELECTRICAL

1. Electrical Rating: 6A 250VAC 5E4 T85
8A 250VAC 1E4 T85
10A 125VAC 6E3 T125
10(4)A 250VAC 1E4 T125
2. Mechanical life: Over 30000 Cycles
3. Electrical life: Over 50000 Cycles
4. Contact Resistance: $\leq 50m\Omega$
5. Insulation Resistance: 500VDC, 500M Ω Min
6. High Voltage Resistance: >1500V 1 min
7. Ambient Temperature: Terminal Side -20°C~+85°C;
Actuating Side -20°C~+55°C
8. Storage Temperature: -30°C~+80°C Max
9. Atmospheric Humidity: Max 85%
10. Actuating force: 4~8N (depends on different switch function)
11. Flammability: UL94 V-2
12. Temperature rise at the terminal: Max 30°C (UI1054)
13. Solder ability of terminal: Max 350°C 3S



ORDER INFORMATION



Switch

Rocker Switch Series

KLS7-020 Rocker Switch Series

MATERIAL

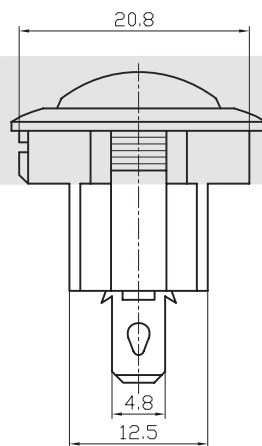
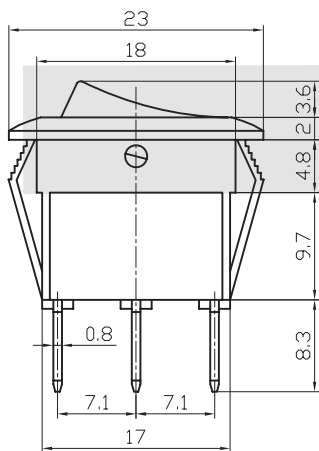
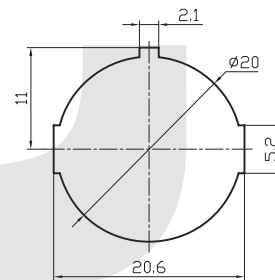
1. Housing: Nylon 66
2. Rocker: PC & PA66
3. Contacts: Silver Alloy
4. Terminal: Brass Silver Plated
5. Lamp: Neon Lamp, Tungsten Lamp
6. Spring: SWP, SUS
7. Movable Arm: Brass Silver Plated



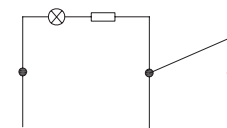
ELECTRICAL

1. Electrical Rating: 6(4)A 250VAC / 10A 125VAC
2. Mechanical life: Over 30000 Cycles
3. Electrical life: Over 10000 Cycles
4. Contact Resistance: $\leq 50m\Omega$
5. Insulation Resistance: $\geq 100M\Omega$
6. High Voltage Resistance: $>1500V$ 1 min
7. Ambient Temperature: Terminal Side $-20^{\circ}C \sim +85^{\circ}C$;
Actuating Side $-20^{\circ}C \sim +55^{\circ}C$
8. Storage Temperature: $-30^{\circ}C \sim +80^{\circ}C$ Max
9. Atmospheric Humidity: Max 85%
10. Actuating force: 4~8N (depends on different switch function)
11. Flammability: UL94 V-2
12. Temperature rise at the terminal: Max $30^{\circ}C$ (UI1054)
13. Solder ability of terminal: Max $350^{\circ}C$ 3S

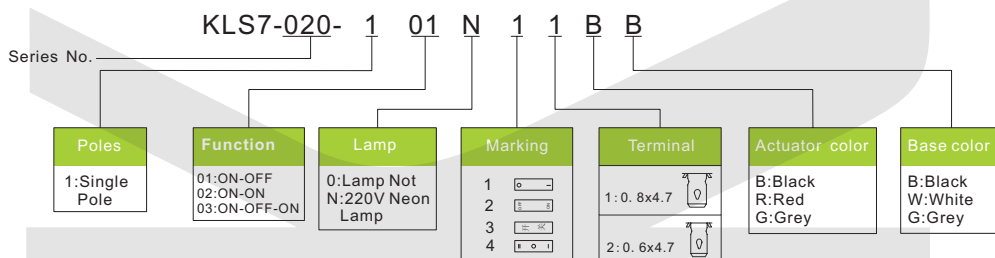
Panel hole size



SWITCHING CIRCUIT



ORDER INFORMATION



Switch

Rocker Switch Series

KLS7-021 Rocker Switch Series

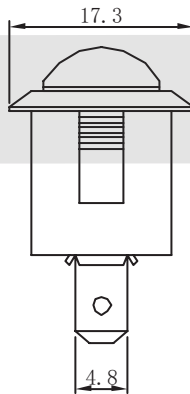
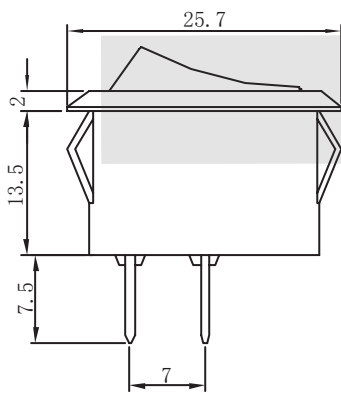
MATERIAL

1. Housing: Nylon 66
2. Rocker: PC & PA66
3. Contacts: Silver Alloy
4. Terminal: Brass Silver Plated
5. Lamp: Neon Lamp, Tungsten Lamp
6. Spring: SWP,SUS
7. Movable Arm: Brass Silver Plated

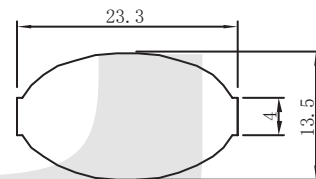


ELECTRICAL

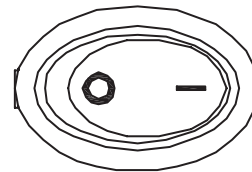
1. Electrical Rating: 6(4)A 250VAC /10A 125VAC
2. Mechanical life: Over 30000 Cycles
3. Electrical life: Over 10000 Cycles
4. Contact Resistance: $\leq 50m\Omega$
5. Insulation Resistance: $\geq 100M\Omega$
6. High Voltage Resistance: $>1500V$ 1 min
7. Ambient Temperature: Terminal Side $-20^{\circ}C \sim +85^{\circ}C$;
Actuating Side $-20^{\circ}C \sim +55^{\circ}C$
8. Storage Temperature: $-30^{\circ}C \sim +80^{\circ}C$ Max
9. Atmospheric Humidity: Max 85%
10. Actuating force: 4~8N (depends on different switch function)
11. Flammability: UL94 V-2
12. Temperature rise at the terminal: Max $30^{\circ}C$ (UI1054)
13. Solder ability of terminal: Max $350^{\circ}C$ 3S



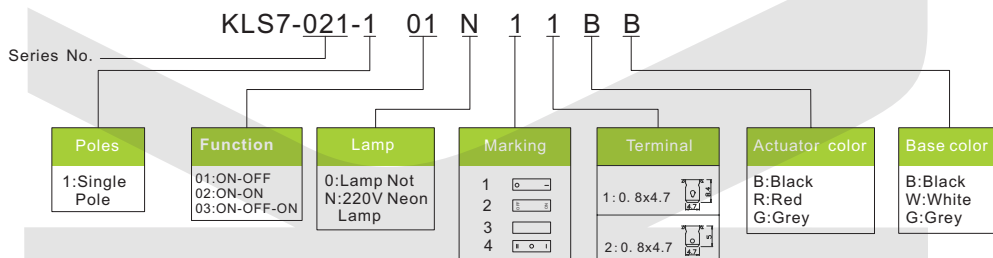
Panel hole size



SWITCHING CIRCUIT



ORDER INFORMATION



Switch

Rocker Switch Series

KLS7-023 Rocker Switch Series

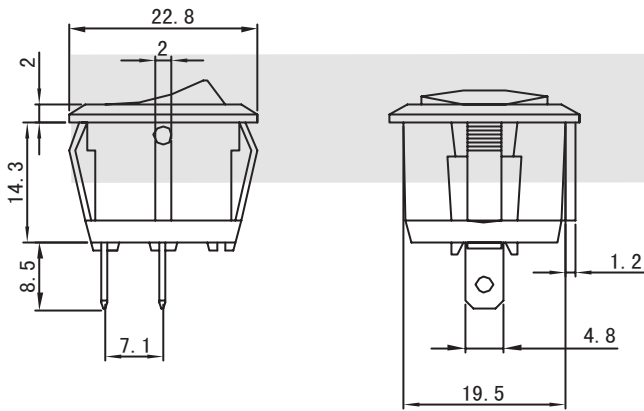
MATERIAL

1. Housing: Nylon 66
2. Rocker: PC & PA66
3. Contacts: Silver Alloy
4. Terminal: Brass Silver Plated
5. Lamp: Neon Lamp, Tungsten Lamp
6. Spring: SWP,SUS
7. Movable Arm: Brass Silver Plated

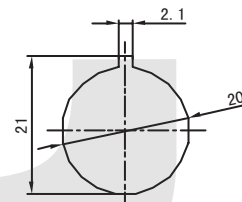


ELECTRICAL

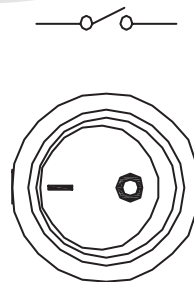
1. Electrical Rating: 6(4)A 250VAC /10A 125VAC
2. Mechanical life: Over 30000 Cycles
3. Electrical life: Over 10000 Cycles
4. Contact Resistance: $\leq 50m\Omega$
5. Insulation Resistance: $\geq 100M\Omega$
6. High Voltage Resistance: $>1500V$ 1 min
7. Ambient Temperature: Terminal Side $-20^{\circ}C \sim +85^{\circ}C$;
Actuating Side $-20^{\circ}C \sim +55^{\circ}C$
8. Storage Temperature: $-30^{\circ}C \sim +80^{\circ}C$ Max
9. Atmospheric Humidity: Max 85%
10. Actuating force: 4~8N (depends on different switch function)
11. Flammability: UL94 V-2
12. Temperature rise at the terminal: Max $30^{\circ}C$ (UI1054)
13. Solder ability of terminal: Max $350^{\circ}C$ 3S



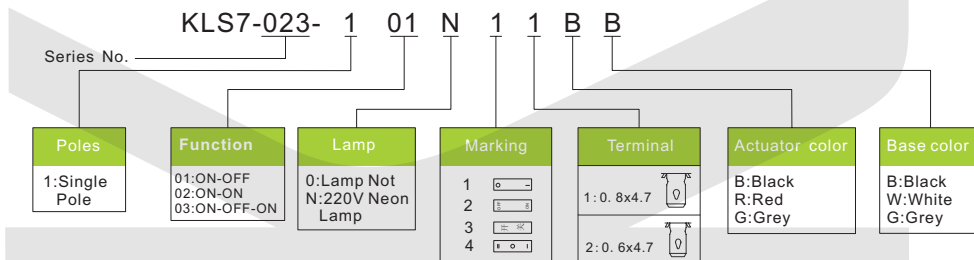
Panel hole size



SWITCHING CIRCUIT



ORDER INFORMATION



Rocker Switch Series

KLS7-009 Rocker Switch Series

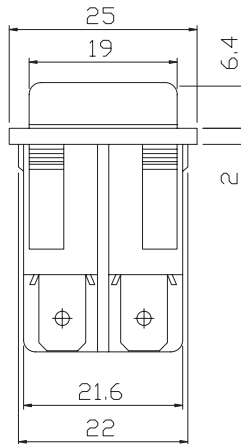
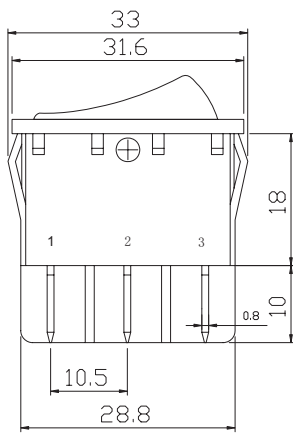
MATERIAL

1. Housing: Nylon 66
2. Rocker: PC & PA66
3. Contacts: Silver Alloy
4. Terminal: Brass Silver Plated
5. Lamp: Neon Lamp, Tungsten Lamp
6. Spring: SWP, SUS
7. Movable Arm: Brass Silver Plated

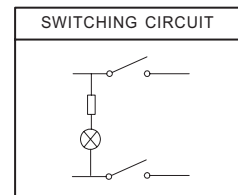
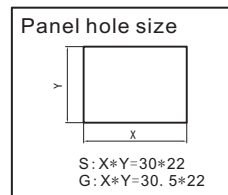
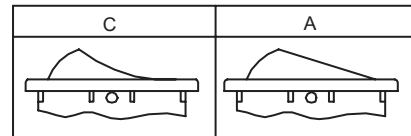


ELECTRICAL

1. Electrical Rating: 16(4)A 250VAC T85
16(4)A 250VAC T125/55 1E4
16A 125V/8A 250AC
(H)Rating: 16(8)A 250VAC T85/55 1E4
2. Mechanical life: Over 30000 Cycles
3. Electrical life: Over 10000 Cycles
4. Contact Resistance: <20mΩ
5. Insulation Resistance: >1000MΩ
6. High Voltage Resistance: >1500V 1 min
7. Ambient Temperature: Terminal Side -20°C~+85°C; Actuating Side -20°C~+55°C
8. Storage Temperature: -30°C~+80°C Max
9. Atmospheric Humidity: Max 85%
10. Actuating force: 4~8N (depends on different switch function)
11. Flammability: UL94 V-2
12. Temperature rise at the terminal: Max 30°C (UI1054)
13. Solder ability of terminal: Max 350°C 3S



Cap Type



ORDER INFORMATION

KLS7-009-21/N-C-2 RE/BK -P1 -S(2)

Function	Cap Type	Cap Printing	Color Cap/Housing	Terminal	Panel hoe size	Votoge
00:Indicator Lamp 21/N:ON-OFF 4P w/lamp 21:ON-OFF 4P 22:ON-ON 6P 23:ON-OFF-ON 6P 11:ON-OFF 2P 12:ON-ON 3P 13:ON-OFF-ON 3P 21(ON):(ON)-OFF 4P 23(ON):(ON)-OFF-ON 6P 23(2xON):(ON)-OFF-(ON) 6P	A:Flast C:Soft Line P:W/PVC-Cap	0: None 1: 2: 3: 4: 5: 6: 7: 8:	BK:Black WT:White RE:Red OR:Orange GR:Green BL:Blue GE:Grey		S:30*22 G:30.5*22	1:110VAC 2:220VAC 3:12VDC 4:24VDC

Switch

Rocker Switch Series

KLS7-025 Small Rocker Switch Series

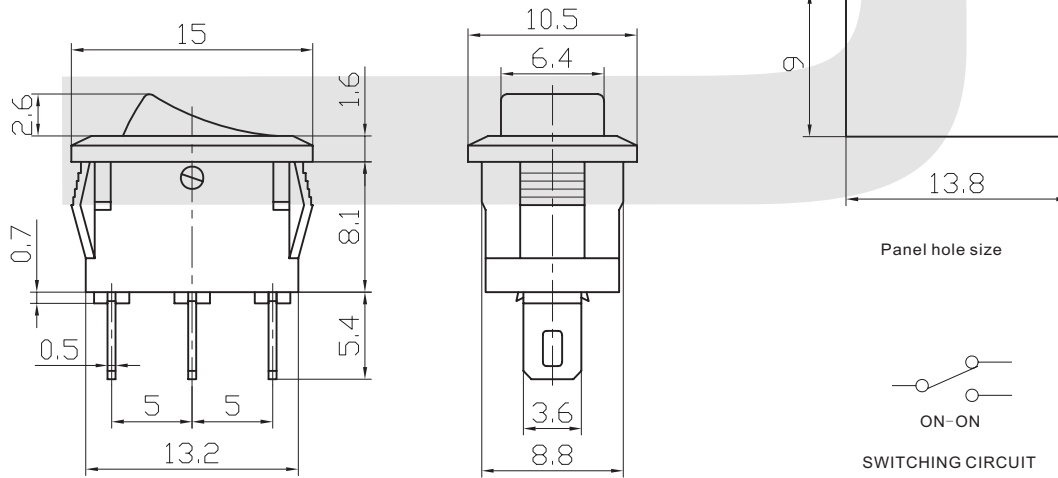
MATERIAL

1. Housing: Nylon 66
2. Rocker: PC & PA66
3. Contacts: Silver Alloy
4. Terminal: Brass Silver Plated
5. Lamp: Neon Lamp, Tungsten Lamp
6. Spring: SWP,SUS
7. Movable Arm: Brass Silver Plated

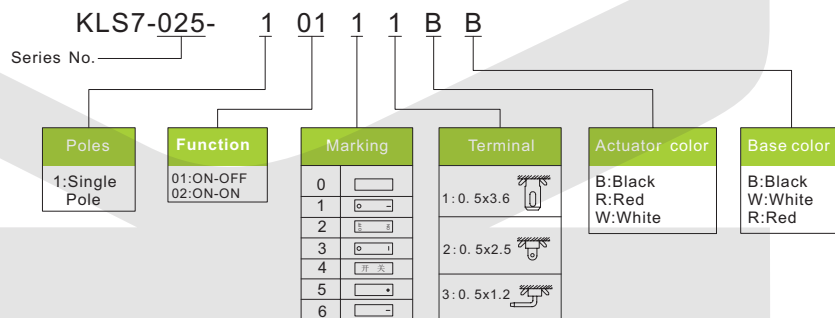


ELECTRICAL

1. Electrical Rating: 3A 125VAC
1A 250VAC
2. Mechanical life: Over 30000 Cycles
3. Electrical life: Over 10000 Cycles
4. Contact Resistance: $\leq 20m\Omega$
5. Insulation Resistance: 1000M Ω Min
6. High Voltage Resistance: $>1500V$ 1 min
7. Ambient Temperature: Terminal Side $-20^{\circ}C \sim +85^{\circ}C$;
Actuating Side $-20^{\circ}C \sim +55^{\circ}C$
8. Storage Temperature: $-30^{\circ}C \sim +80^{\circ}C$ Max
9. Atmospheric Humidity: Max 85%
10. Actuating force: 4~8N (depends on different switch function)
11. Flammability: UL94 V-2
12. Temperature rise at the terminal: Max $30^{\circ}C$ (UI1054)
13. Solder ability of terminal: Max $350^{\circ}C$ 3S



ORDER INFORMATION



Rocker Switch Series

KLS7-001 Rocker Switch Series

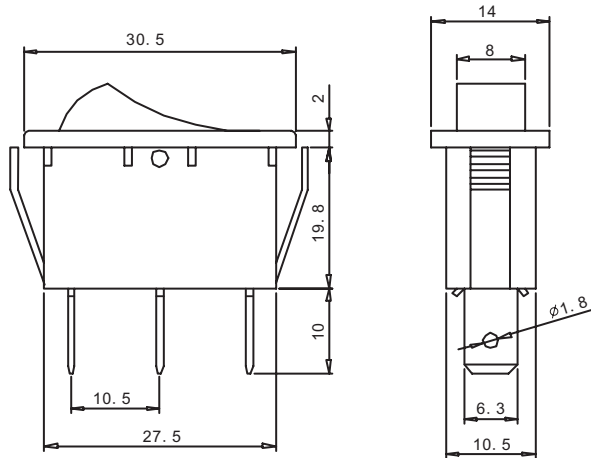
MATERIAL

1. Housing: Nylon 66
2. Rocker: PC & PA66
3. Contacts: Silver Alloy
4. Terminal: Brass Silver Plated
5. Lamp: Neon Lamp, Tungsten Lamp
6. Spring: SWP, SUS
7. Movable Arm: Brass Silver Plated

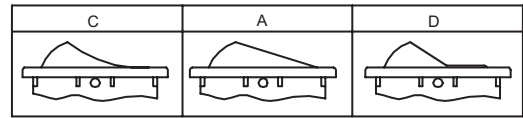


ELECTRICAL

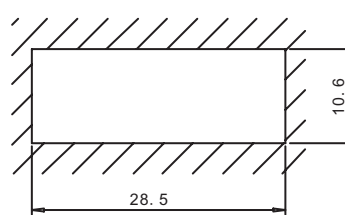
1. Electrical Rating: 10(4)A 250VAC T85
16(4)A 250VAC T125/55 1E4
15A 125V/7.5A 250AC
2. Mechanical life: Over 30000 Cycles
3. Electrical life: Over 10000 Cycles
4. Contact Resistance: <20mΩ
5. Insulation Resistance: >1000MΩ
6. High Voltage Resistance: >1500V 1 min
7. Ambient Temperature: Terminal Side -20°C~+85°C; Actuating Side -20°C~+55°C
8. Storage Temperature: -30°C~+80°C Max
9. Atmospheric Humidity: Max 85%
10. Actuating force: 4~8N (depends on different switch function)
11. Flammability: UL94 V-2
12. Temperature rise at the terminal: Max 30°C (UI1054)
13. Solder ability of terminal: Max 350°C 3S



Cap Type



Panel hole size



ORDER INFORMATION

KLS7-001-11/N-C-2 RE/BK -P1.....(2)

Series No.

Function	Cap Type	Cap Printing	Color Cap/Housing	Terminal	Voltage
11/N: ON-OFF 3P w/lamp 11: ON-OFF 2P 12: ON-ON 3P	A: Flast C: SoftLine D: W/Round Len	0: None 1: <input type="checkbox"/> 2: <input type="checkbox"/> 3: <input type="checkbox"/> 4: <input type="checkbox"/> 5: <input type="checkbox"/> 8: <input type="checkbox"/>	BK: Black WT: White RE: Red OR: Orange GR: Green BL: Blue GE: Grey		1: 110VAC 2: 220VAC 3: 12VDC 4: 24VDC

Rocker Switch Series

KLS7-003 Rocker Switch Series

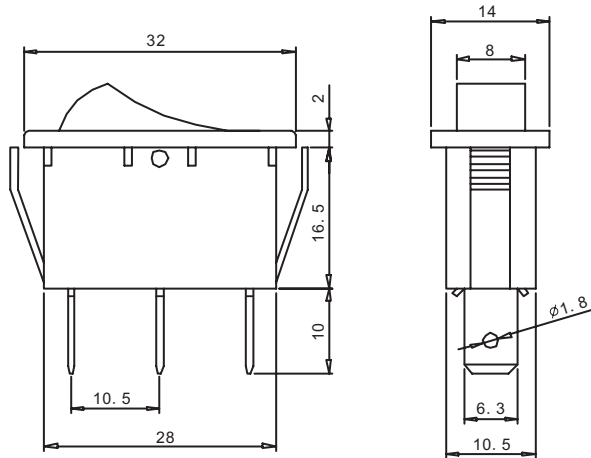
MATERIAL

1. Housing: Nylon 66
2. Rocker: PC & PA66
3. Contacts: Silver Alloy
4. Terminal: Brass Silver Plated
5. Lamp: Neon Lamp, Tungsten Lamp
6. Spring: SWP,SUS
7. Movable Arm: Brass Silver Plated

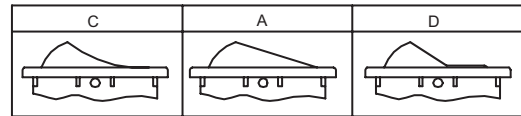


ELECTRICAL

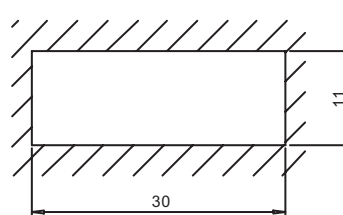
1. Electrical Rating: 10(4)A 250VAC T85
16(4)A 250VAC T125/55 1E4
15A 125V/7.5A 250AC
(H)Rating: 16(8)A 250VAC T85/55 1E4
2. Mechanical life: Over 30000 Cycles
3. Electrical life: Over 10000 Cycles
4. Contact Resistance: <20mΩ
5. Insulation Resistance: >1000MΩ
6. High Voltage Resistance: >1500V 1 min
7. Ambient Temperature: Terminal Side -20°C~+85°C; Actuating Side -20°C~+55°C
8. Storage Temperature: -30°C~+80°C Max
9. Atmospheric Humidity: Max 85%
10. Actuating force: 4~8N(depends on different switch function)
11. Flammability: UL94 V-2
12. Temperature rise at the terminal: Max 30°C (UI1054)
13. Solder ability of terminal: Max 350°C 3S



Cap Type

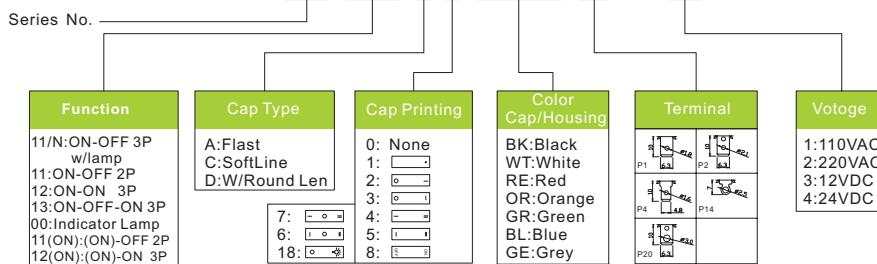


Panel hole size



ORDER INFORMATION

KLS7-003-11/N-C-2 RE/BK -P1.....(2)



Rocker Switch Series

KLS7-005 Rocker Switch Series

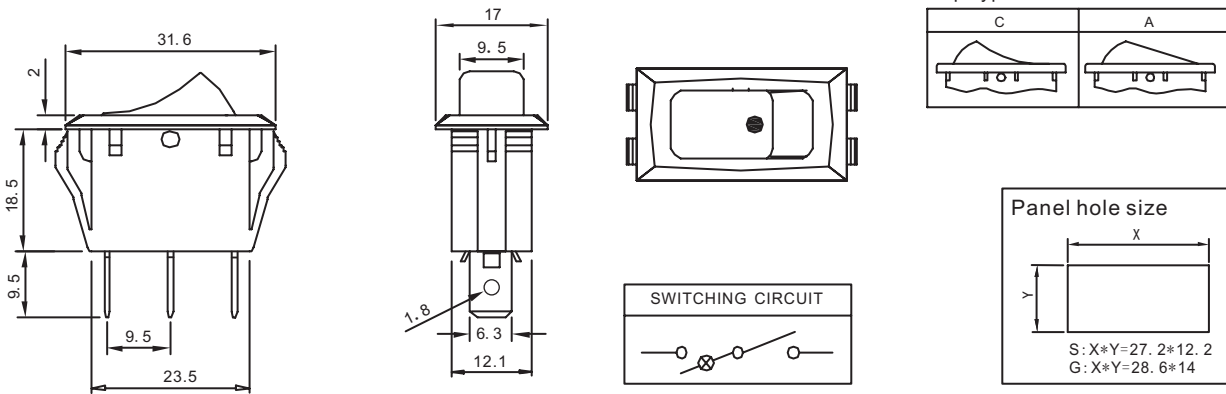
MATERIAL

1. Housing: Nylon 66
2. Rocker: PC & PA66
3. Contacts: Silver Alloy
4. Terminal: Brass Silver Plated
5. Lamp: Neon Lamp, Tungsten Lamp
6. Spring: SWP, SUS
7. Movable Arm: Brass Silver Plated



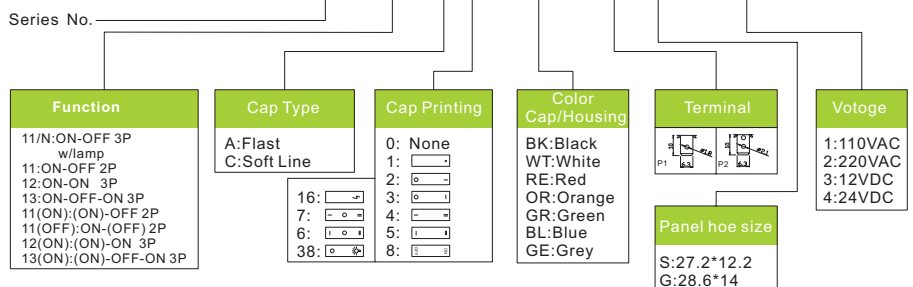
ELECTRICAL

1. Electrical Rating: 10(4)A 250VAC T85
16(4)A 250VAC T125/55 1E4
15A 125V/7.5A 250AC
(H)Rating: 20A 125VAC 3/4HP T105
2. Mechanical life: Over 30000 Cycles
3. Electrical life: Over 10000 Cycles
4. Contact Resistance: <20mΩ
5. Insulation Resistance: >1000MΩ
6. High Voltage Resistance: >1500V 1 min
7. Ambient Temperature: Terminal Side -20°C~+85°C; Actuating Side -20°C~+55°C
8. Storage Temperature: -30°C~+80°C Max
9. Atmospheric Humidity: Max 85%
10. Actuating force: 4~8N(depends on different switch function)
11. Flammability: UL94 V-2
12. Temperature rise at the terminal: Max 30°C (UI1054)
13. Solder ability of terminal: Max 350°C 3S



ORDER INFORMATION

KLS7-005-11/N-C-2 RE/BK -P1 -S(2)



Rocker Switch Series

KLS7-007 Rocker Switch Series

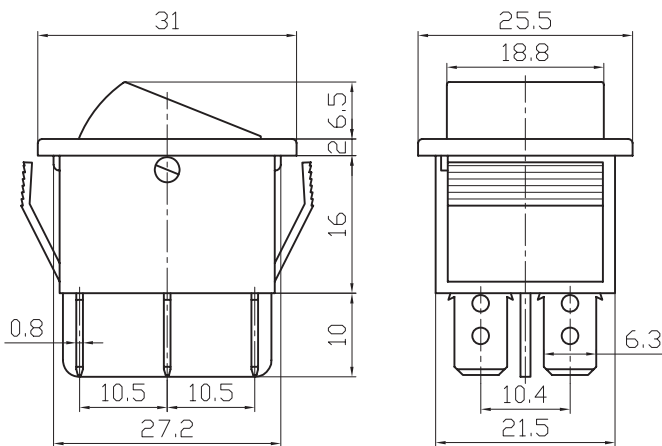
MATERIAL

1. Housing: Nylon 66
2. Rocker: PC & PA66
3. Contacts: Silver Alloy
4. Terminal: Brass Silver Plated
5. Lamp: Neon Lamp, Tungsten Lamp
6. Spring: SWP, SUS
7. Movable Arm: Brass Silver Plated

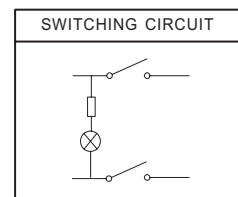
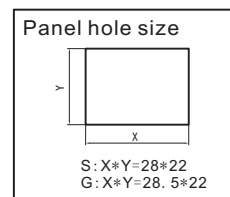
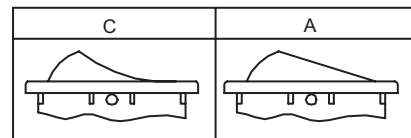


ELECTRICAL

1. Electrical Rating: 16(4)A 250VAC T85
16(4)A 250VAC T125/55 1E4
16A 125V/8A 250AC
(H)Rating: 16(8)A 250VAC T85/55 1E4
2. Mechanical life: Over 30000 Cycles
3. Electrical life: Over 10000 Cycles
4. Contact Resistance: <20mΩ
5. Insulation Resistance: >1000MΩ
6. High Voltage Resistance: >1500V 1 min
7. Ambient Temperature: Terminal Side -20°C~+85°C; Actuating Side -20°C~+55°C
8. Storage Temperature: -30°C~+80°C Max
9. Atmospheric Humidity: Max 85%
10. Actuating force: 4~8N (depends on different switch function)
11. Flammability: UL94 V-2
12. Temperature rise at the terminal: Max 30°C (UI1054)
13. Solder ability of terminal: Max 350°C 3S



Cap Type



ORDER INFORMATION

KLS7-007-21/N-C-2 RE/BK -P1 -S(2)

Function	Cap Type	Cap Printing	Color Cap/Housing	Terminal	Panel hoe size	Votoge
21/N:ON-OFF 4P w/lamp 21:ON-OFF 4P 22:ON-ON 6P 23:ON-OFF-ON 6P 11:ON-OFF 2P 12:ON-ON 3P	A:Flast C:Soft Line P:W/PVC-Cap	0: None 1: [] 2: [] 3: [] 4: [] 5: [] 6: [] 7: [] 8: []	BK:Black WT:White RE:Red OR:Orange GR:Green BL:Blue GE:Grey		S:28*22 G:28.5*22	1:110VAC 2:220VAC 3:12VDC 4:24VDC