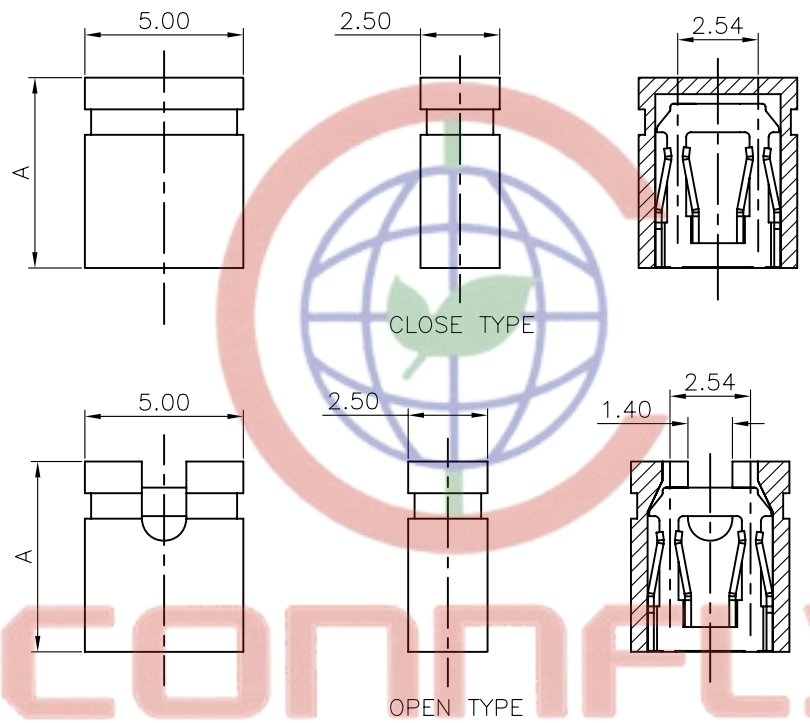


REV.	DESCRIPTION	DRAWN	CHECKED	APPROVED
A	NEW RELEASE	LL 12/04/06'		



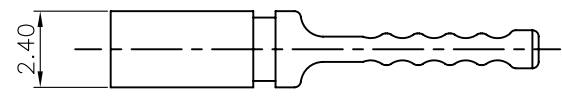
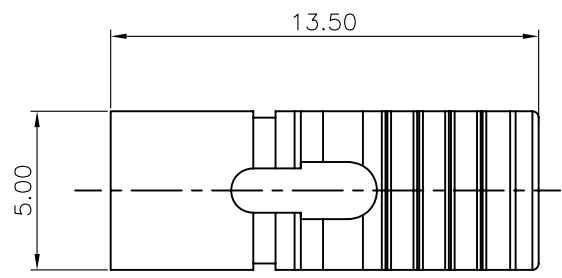
NOTES:

- SPECIFICATION:
 - CONTACT RESISTANCE: 30mΩ MAX.
 - DIELECTRIC WITHSTANDING VOLTAGE: 250V AC(rms) FOR 1 MINUTE.
 - INSULATION RESISTANCE: 500MΩ Min.
 - OPERATING TEMPERATURE: -40°C~+105°C.

2. PRODUCT NUMBER CODE:

DS1027 - X X X X X

- PROFILE HEIGHT(DIM A):
0:6.0mm
1:6.47mm
- CONTACT PLATING:
F1: FULL GOLD FLASH
N: NICKEL
2: GOLD+NICKEL
- HOUSING COLOR:
B: BLACK U:BLUE Y:YELLOW
W: WHITE E:GREEN R:RED
- HOUSING TYPE:
A:OPEN B:CLOSE L:Long
- No.OF CONTACTS:
2: 2pin
- SERIES No:
DS1027



Tel:86-574-6350878
 Fax:86-574-6351081
 E-mail:sale@zhenqin.com.cn
 Http://www.connfly.com

GENERAL TOLERANCE		ANGLE TOLERANCE		PROJECTION		TITLE	MINI JUMPER PITCH 2.54mm	
X.	±0.60	X.	±5°	UNITS		mm		
.X	±0.38	.X	±3°	SHEET SIZE	A4	SERIES	DS1027 SERIES	
.XX	±0.25	.XX	±2°					
DRAWING TYPE		CUSTOMER				晨翔电子有限公司 CONNFLY CONNFLY ELECTRONIC CO. LTD		
SCALE	1:1	SHEET	1 OF 1					
DRAWING NO.	C-DS1027-XXXXX							